

TRIPOD TURNSTILE CENTURION-M TWIN

Centurion-M Twin turnstile access control solution featured with the most space-saving dimensions in combination to affordable price level.



MOST POPULAR MODEL: THOUSAND OF TURNSTILES
IN DIFFERENT GENERATIONS WERE SOLD ROUND THE WORLD



FREE ACCESS
(for each pass)



CROSSING CAPACITY
(for each pass)



MAX. PASSAGE WIDTH
(one side)



PROTECTIVE LEVEL



DROP-ARM



MOTORIZED



BI-DIRECTIONAL

Advantages

- Bi-directional motorized tripod turnstile with panic / bar drop-arm function
- High quality at a cost effective price
- Integration with any type of access control and ID systems
- Low power consumption
- Panic / bar drop-arm function with automatic reset
- Whisper quiet, low noise operation
- Optional indoor or outdoor housing types
- Wide range of accessories
- Availability of a backup battery connection
- Complete supply set as a standard

Standard

- 8 LED indicators
- Wired remote control
- Supply of backup battery power connection
- Anti-panic function with automatic reset

Options

- Preparation for various third-party devices (e.g. passage counter, RFID/Proximity/BioMetric readers, coin acceptor, push button, barcode and QR-code reader)
- Heating function for external installation (for cold climates)
- Cooling system
- Tripod Twin modification is available
- Dummy housings can be mounted adjacent to tripod turnstile

* first figure is for internal installation, second figure is for outdoor installation (up on request).



www.tiso.global
+380 (44) 291-21-11
e-mail: sales@tiso.global



Technical Specifications:

Unit width, mm	793
Unit length, mm	1580
Unit height, mm	1000
Mechanism	Motorized

Controlled by:



access control system;



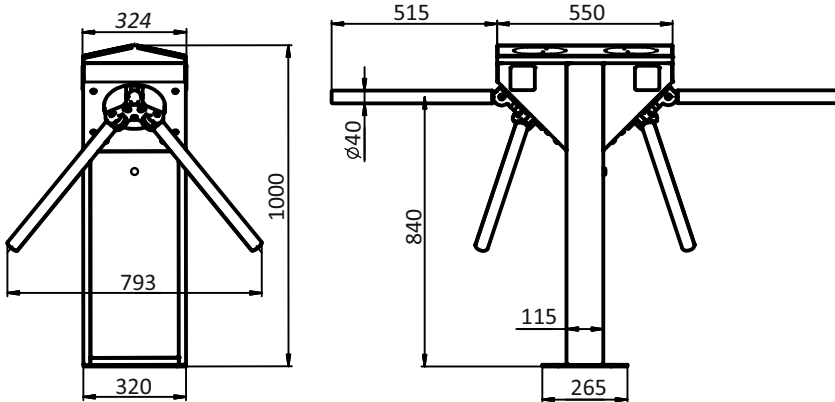
push button control unit

Electrical Specifications:

- Voltage:
 - from the AC (100-240)V, 50/60Hz;
 - from a DC source 12 V;
- Maximum power consumption 55W per pass;

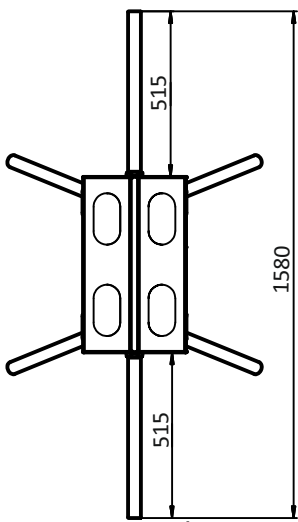
Ambient temperature range:

- Standard +1°C to +40°C, up to IP41
- Optional -20°C to +55°C, up to IP54



Materials

Standard housing	Brushed SS AISI 304
Available housing	Brushed SS AISI 316 Polished SS AISI 304 Polished SS AISI 316 Powder coated RAL
Tripod hub	Cast aluminum with grey painted finishing



Installation areas:

- Governmental Institutions
- Military Bases
- Nuclear Power Plants
- Production sites (Industrial Plants)
- Commercial areas
- Financial institutions
- Airport Premises
- Business (Office) Centers
- Hotels
- Sport Complexes
- Recreation areas
- Urban areas
- Education Institutions
- others

